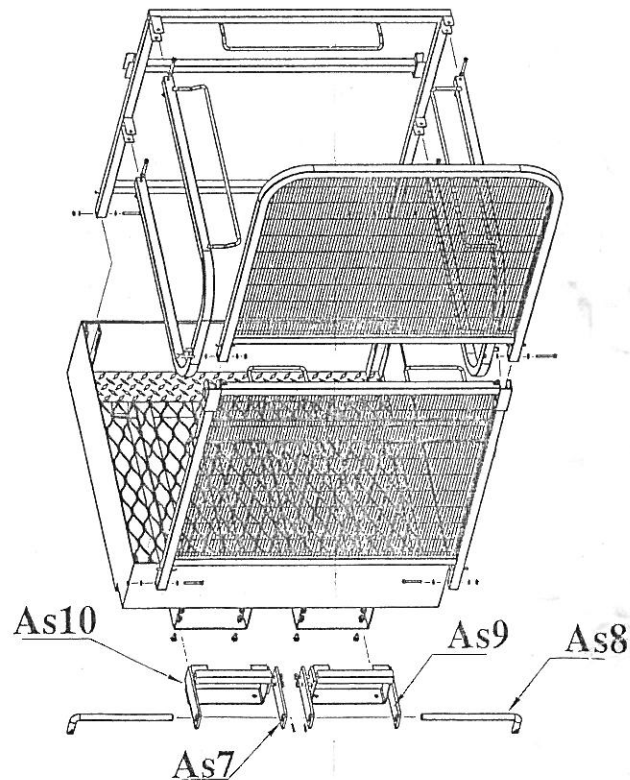
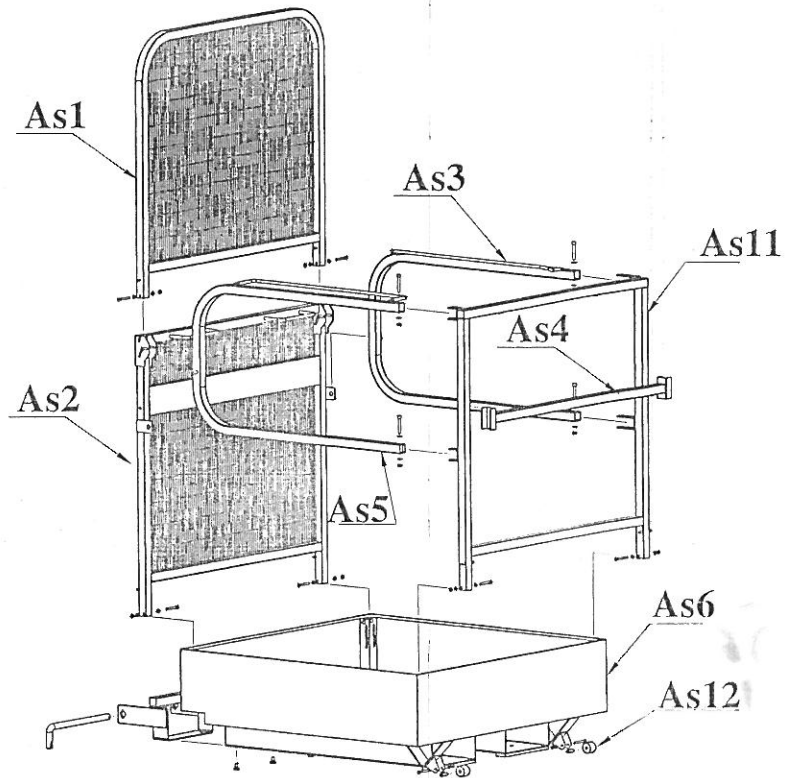
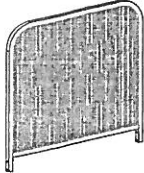
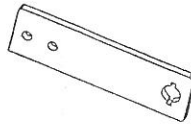
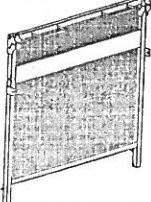


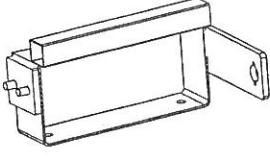

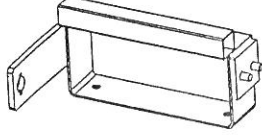
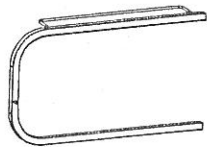
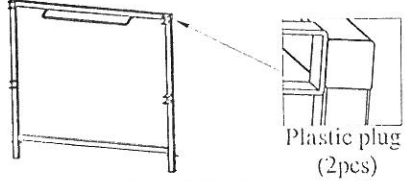
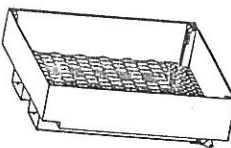
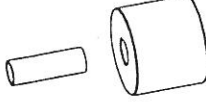


# Assembly Instructions







Name: WORKING BASKET,FOLDABLE



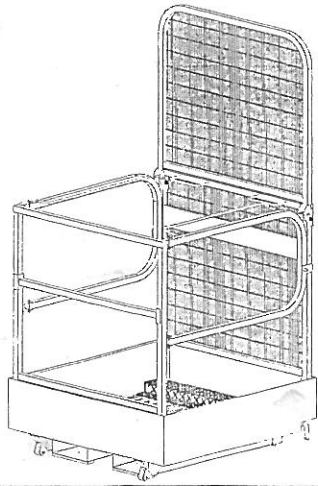
Parts list

No.	Name	Q'ty	No.	Name	Q'ty
As1		1	As7		2
As2		1	As8		2
As3		1	As9		1
As4		1	As10		1
As5		1	As11	 Plastic plug (2pcs)	1
As6		1	As12		2

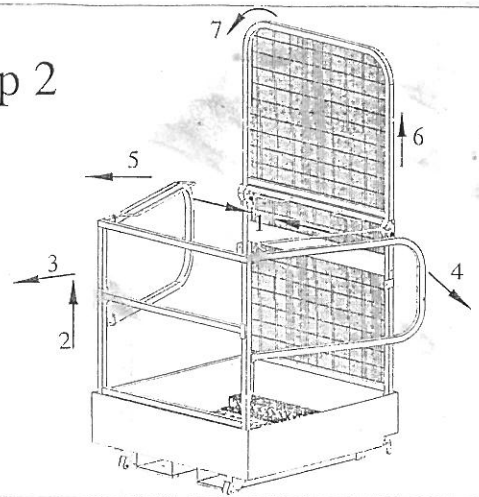
Hard Ware

No.	Name	Q'ty	No.	Name	Q'ty
1	 12 Bolts & 14 nuts M6x50	12	4	 Lock pin	2
2	 Bolt & nut M10x25	12	5	 Chain (small) & bolt M4x15	2
3	 Cotter pin $\varnothing$ 6x25	2	6	 Chain (big) & hook	2

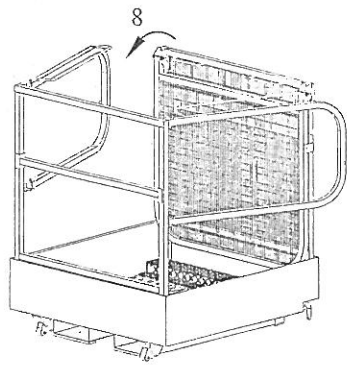
Step 1



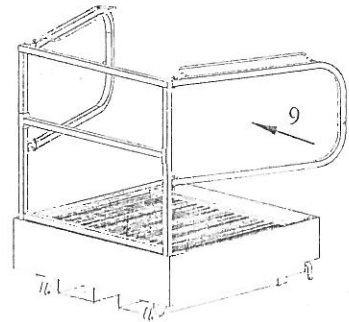
Step 2



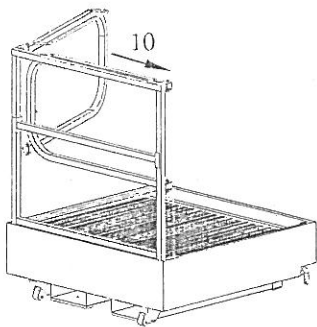
Step 3



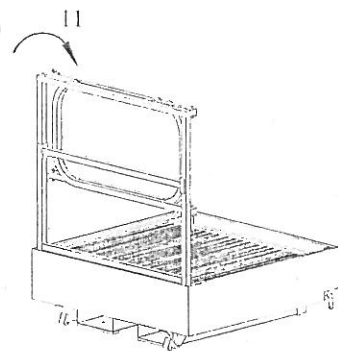
Step 4



Step 5



Step 6



Step 7

